

# MS04 MINI SERVER

## USER MANUAL

- 
- The actual product is subject to change without prior notice. In Win Development Inc. reserves the right to make modifications.
  - Please read the following steps for assembly.

### **Safety Information**

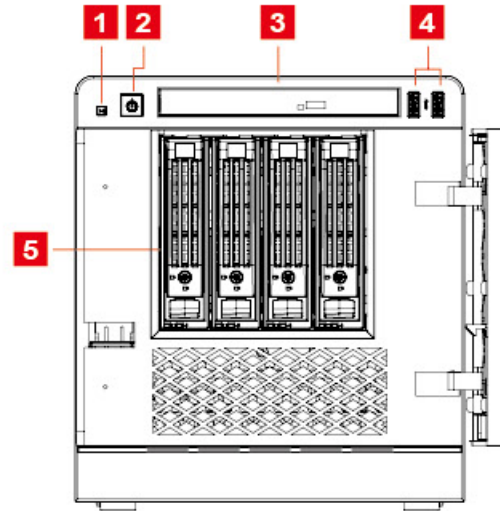
- Place the MS04 server on a stable surface and avoid placing in dusty, humid, and extreme temperature areas.
- Avoid short circuit by keeping paper clips, screws and staples away from connectors, slots, sockets and circuitry.
- If the power supply is broken, please contact In Win. DO NOT attempt to service the power supply:  
[server.support@in-win.com.tw](mailto:server.support@in-win.com.tw)

### **Warning**

To avoid personal injury when unpacking the server, please use a mechanical assist unit to lift this product from the shipping pallet.

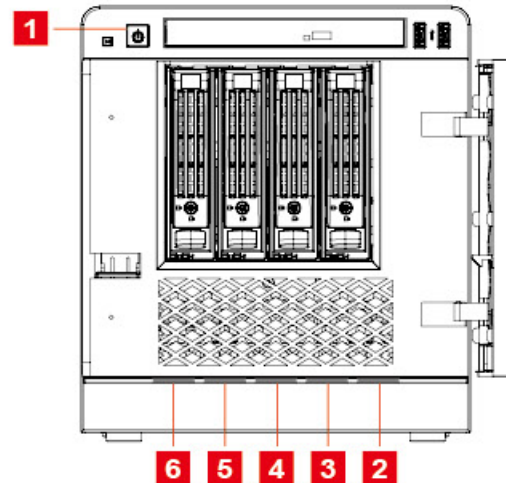
## ■ Front Panel Components

- 1 System Reset Button
- 2 Power Switch Button
- 3 Slim ODD Bay
- 4 USB Connector x 2
- 5 3.5" / 2.5" Hot Swap HDD Tray x 4



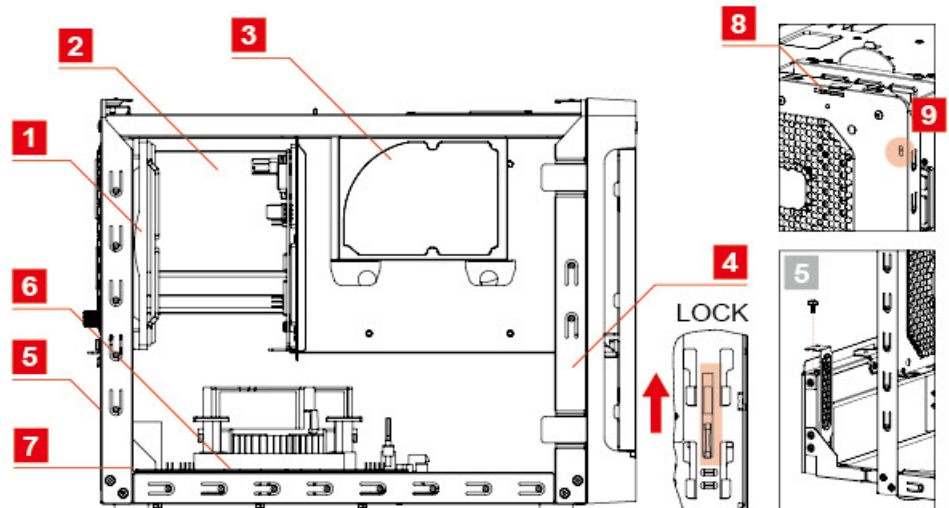
## ■ Front Panel LEDs

Item	Description	LED color	Status
1	Power LED	Blue	Active
2	FAIL LED	Red	Fail
3	ID LED	Blue	Active
4	HDD LED	Green	Active
5	LAN 1 LED	Amber	Active
6	LAN 2 LED	Amber	Active



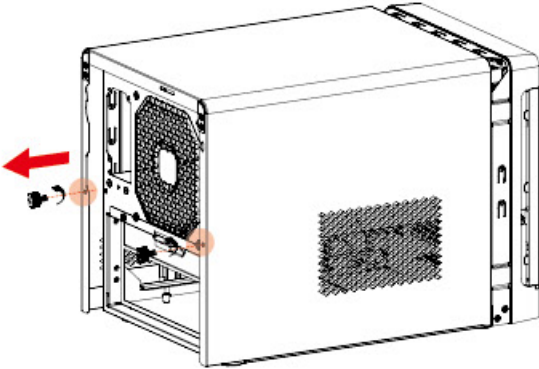
## ■ Inside and Rear Components

- 1 120mm Rear Fan x 1
- 2 Flex ATX Power Supply Mounting Area
- 3 2.5" HDD Bay x 1
- 4 Front Panel Security Lock
- 5 Low Profile Slot x 1
- 6 Mini ITX M/B Mounting Area
- 7 Intrusion Switch
- 8 Padlock Loop
- 9 Kensington Slot

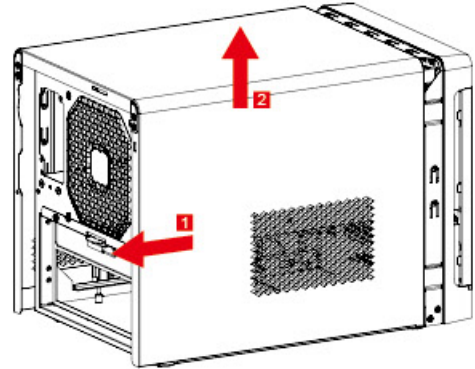


## Opening the Chassis Cover

- 1 Remove two screws on the rear panel to release the top cover from the chassis.

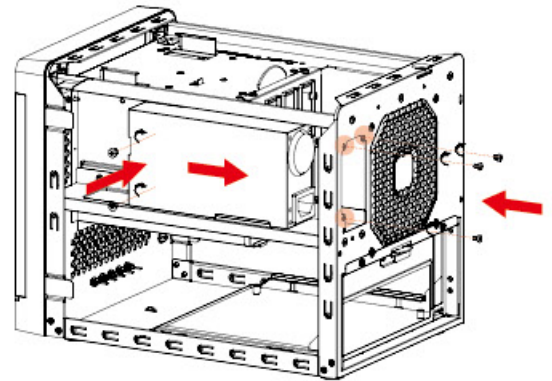


- 2
  - Slide the cover back.
  - Lift up the cover from the chassis.



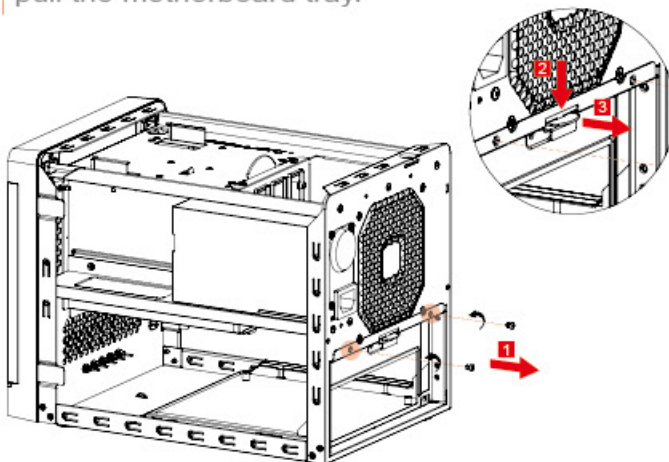
## Installing Power Supply

Insert the power supply, then use five screws to secure the position.

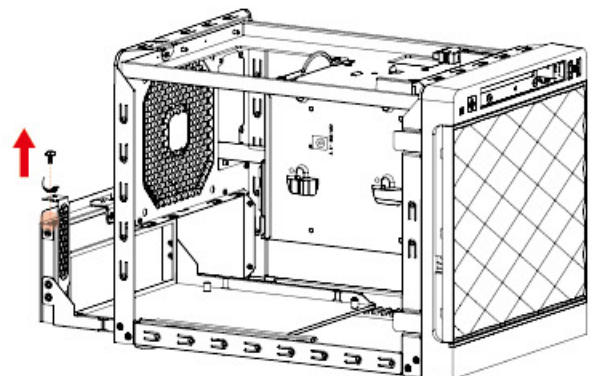


## Installing Motherboard and Low Profile Expansion Card

- 1 Release two screws, then press the clip and pull the motherboard tray.

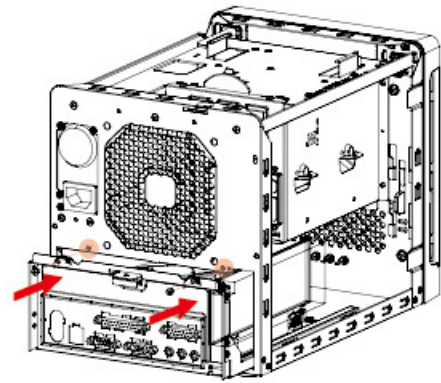
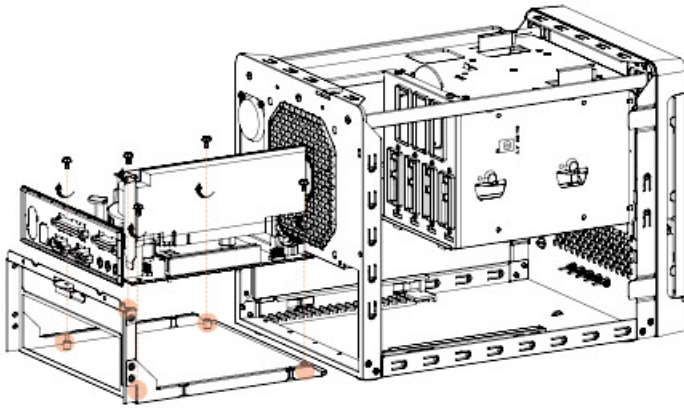


- 2 Release one screw and remove the expansion card cover.



## Installing Motherboard and Low Profile Expansion Card

- 3**
  - Install the motherboard on the motherboard tray.
  - Install the add-on card and secure with the screw.
    - \* Please follow the motherboard installing guide to connect power cables and I/O wires to the motherboard.
    - \* Motherboard cooler height maximum 65mm.
- 4**
  - Push back the tray.
  - Use the two screws to secure the tray.

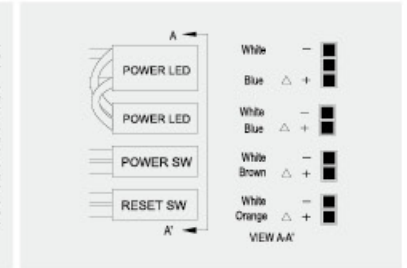
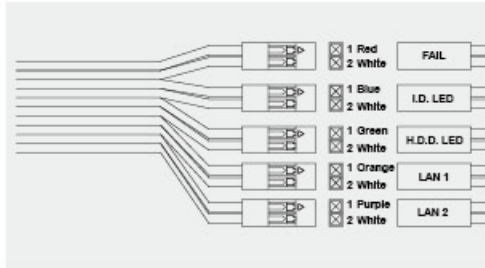
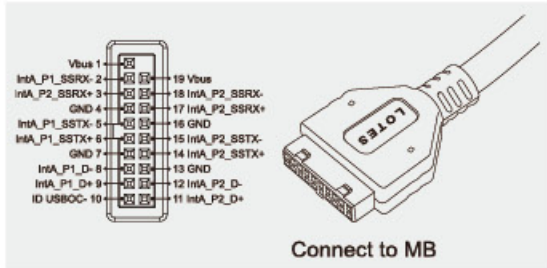


## Installing Front I/O Wires

▪ USB 3.0 Header

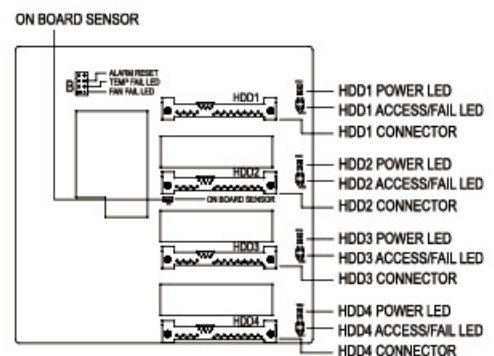
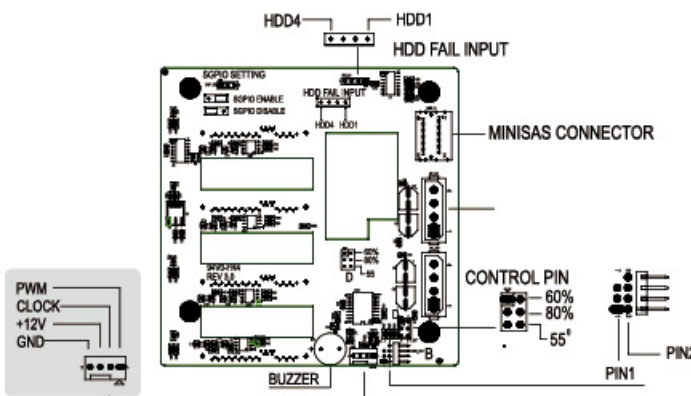
▪ LED Connector

▪ Switch / LED Connector



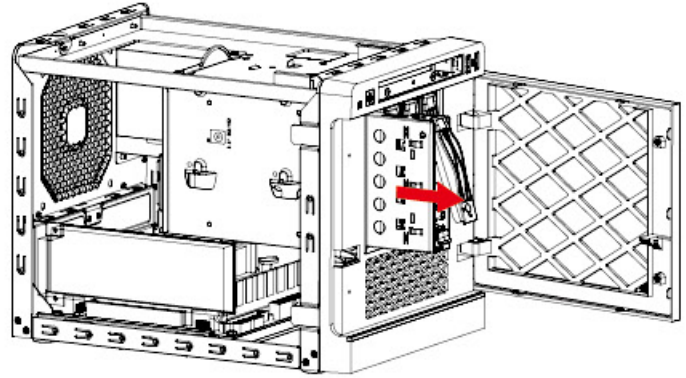
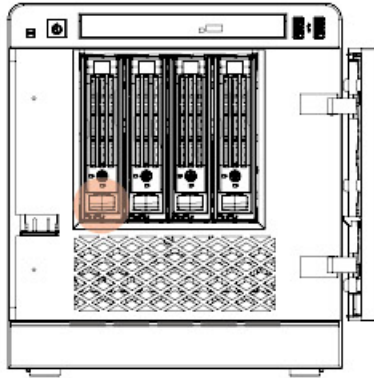
## HDD Backplane Cable Connections

▪ Backplane Setting / Configuration



## Installing 3.5" / 2.5" HDD

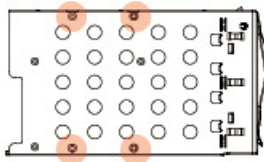
- 1 Release the drive tray by pushing the spring lock, then hold the tray bar and pull the drive tray outward.



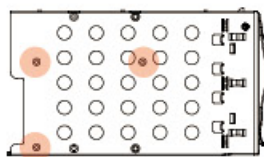
## Installing 3.5" / 2.5" HDD

- 2 Place the SAS/SATA hard disk drive on the tray, and secure it with three or four screws.
- 3 Insert the drive tray into the chassis and push the tray bar until it clicks.

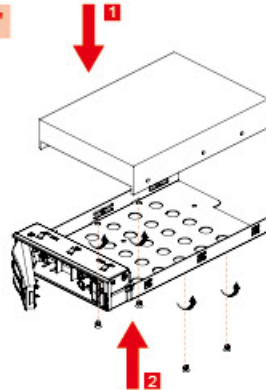
3.5"



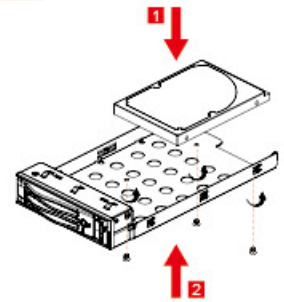
2.5"



3.5"



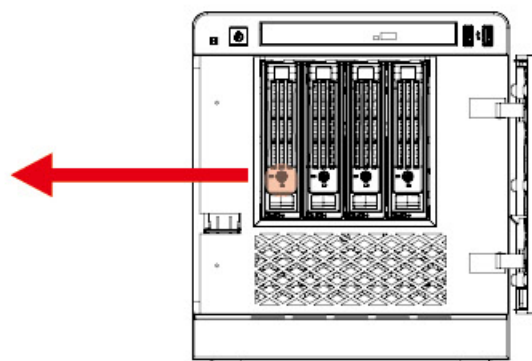
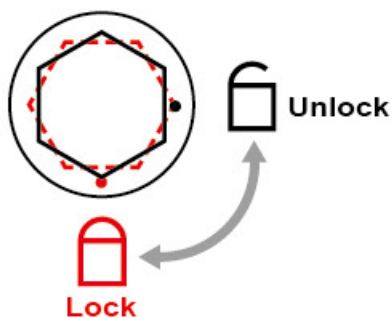
2.5"



- 4 Repeat step 1-3 to install another SAS/SATA drive.

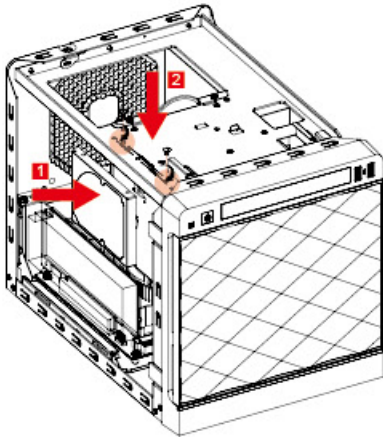
### Hard Disk Drive Security Lock

The HDD bays incorporate a security screw to prevent accident HDD release. To engage the lock, turn the security screw clock-wise toward the lock symbol. To disengage the lock, turn the security screw counter clock-wise toward the unlock symbol as shown.



## Installing 2.5" HDD

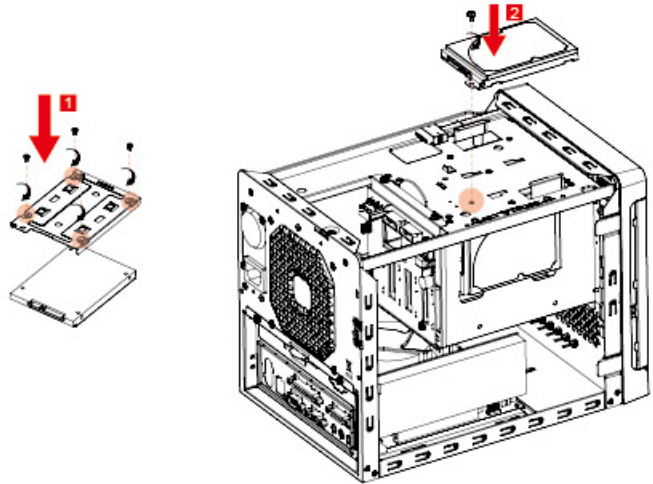
Insert the 2.5" HDD/SSD and secure into position with two screws.



## Installing the Top 2.5" HDD (Optional)

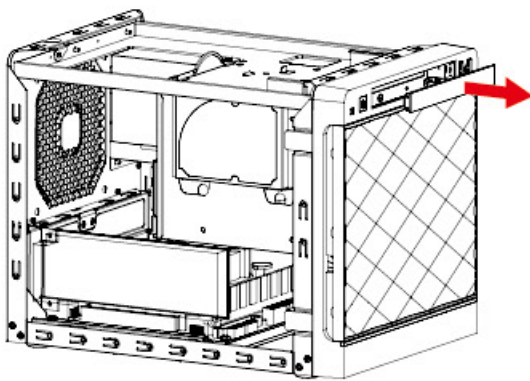
- Use four screws to secure the 2.5" HDD on the bracket.
- Insert the 2.5" HDD & bracket, then use one screw to secure the position.

\* If the slim ODD is installed, the top 2.5" HDD option cannot be installed.

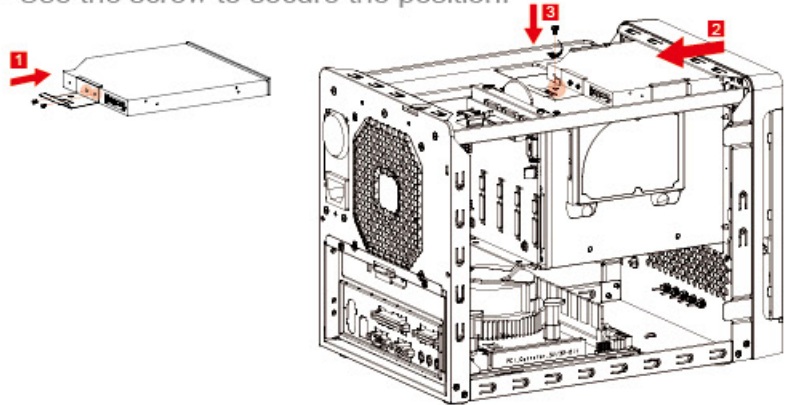


## Installing Slim ODD

- 1 Disassemble the ODD panel.

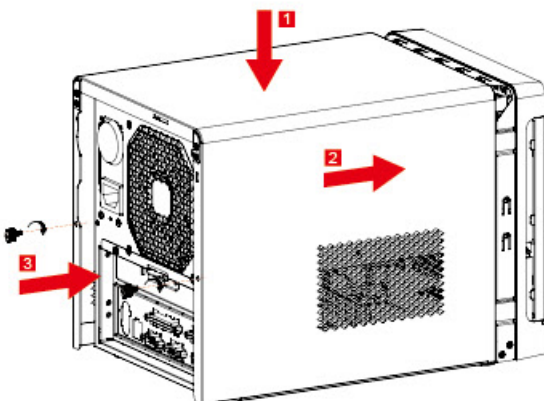


- 2
  - Use two screws to secure the L bracket to the slim ODD.
  - Insert the slim ODD.
  - Use the screw to secure the position.



## Installing the Chassis Cover

- Lower the cover onto the chassis.
- Slide the cover into the chassis.
- Use two screws to secure the cover.



## Completing Installation

Installation steps is now complete.

